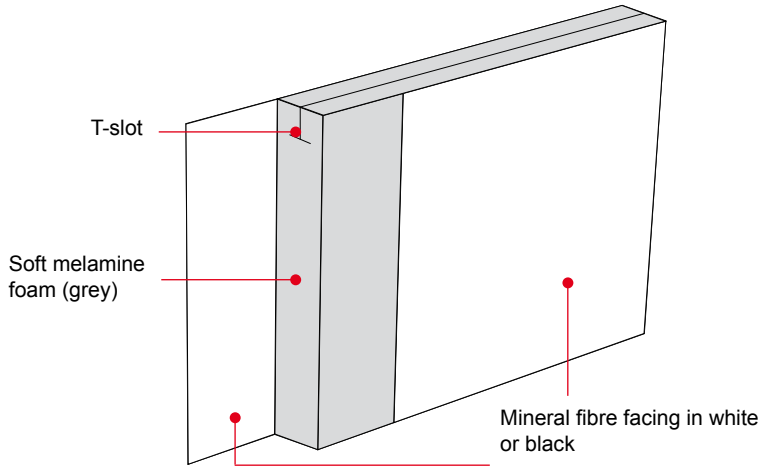


Cross Section



Close-up



Applications

- Industrial spaces
- Retail spaces, dance studios, fitness studios, gyms
- Large rooms, e.g. conference rooms, theatres, etc.

Attributes

Dinaphon® B 510 sound baffles provide excellent noise absorption. They expand the absorption area of the spaces where they are installed significantly improving the acoustics. Dinaphon® B 510 baffles are resistant to many chemicals.

Verarbeitung

Dinaphon® B 510 baffle elements install on the ceiling. Each panel is fitted with a 24 mm T-slot on one end, enabling the elements to slip quickly and easily onto the 24 mm T-section from which the baffles are vertically suspended.

Storage

Store in a dry area at temperatures ranging between 15 - 25° C.

Technical Data

Product Data	Dinaphon® B 510
Bulk density of foam	8.5 – 11.5 kg/m³
Thermal stability:	
Foam	- 60 to + 100 °C
Building material rating of foam as per DIN 4102	B1
BKZ (Swiss fire code rating) content	5.3
Rated thermal conductivity λ (W/m²K)	0.035

Packaging Unit and Form

Panel size: 1200 x 600 mm

Panel thickness: 50 mm

Packaging unit: 10 elements/carton

Product variant designations:

B 510/50W, B 510/50S.

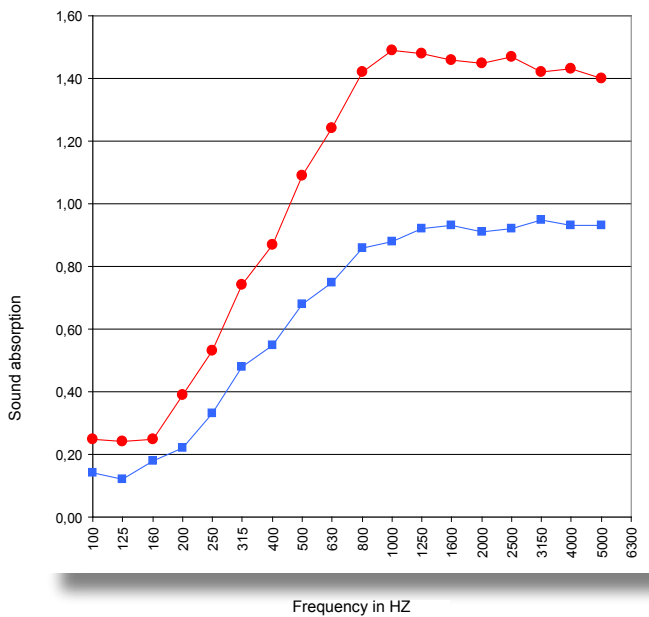
“W” indicates white;

“S” indicates black colour

Sound Absorption

Results obtained using the reverberant field testing method

	600 mm*	1200 mm*
	—●—	—■—
100 Hz	0.25	0.14
125 Hz	0.24	0.12
160 Hz	0.25	0.18
200 Hz	0.39	0.22
250 Hz	0.53	0.33
315 Hz	0.74	0.48
400 Hz	0.87	0.55
500 Hz	1.09	0.68
630 Hz	1.24	0.75
800 Hz	1.42	0.86
1000 Hz	1.49	0.88
1250 Hz	1.48	0.92
1600 Hz	1.46	0.93
2000 Hz	1.45	0.91
2500 Hz	1.47	0.92
3150 Hz	1.42	0.95
4000 Hz	1.43	0.93
5000 Hz	1.40	0.93



*Distance between the baffle rows

Keller Lärmschutz AG provides its assistance, application-specific advice and product use instructions to the best of its knowledge and ability. Keller Lärmschutz AG reserves the right to make the changes to its products and information, which are the result of its constant efforts to improve both the information and products, and shall not be held liable for damages occurring due to the

information or assistance it provides. Moreover, the information provided by Keller Lärmschutz AG shall not nullify the responsibility of the purchaser of the products to test the suitability of the materials for the intended application, process and purpose prior to using them.